
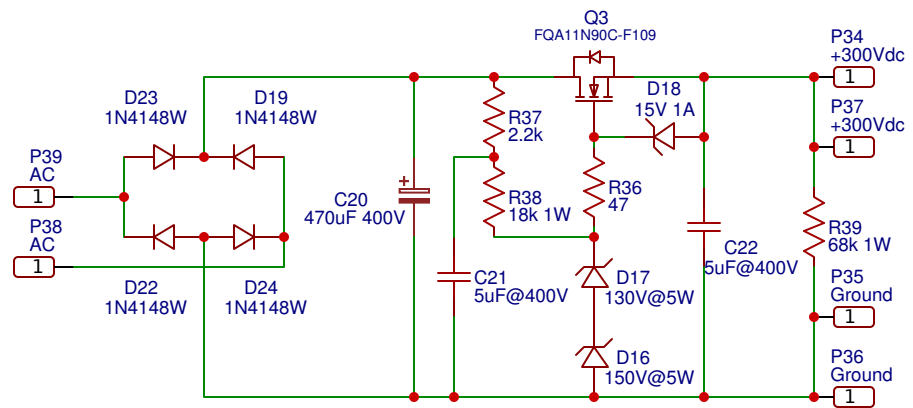



TITLE: FET Based Regulated Supply		REV: 1.0
	Company: ACOOB Regulator Design	Sheet: 1/1
	Date: 2019-05-04	Drawn By: W9JSW



TITLE: Regulator Sub-Component		REV: 1.0
	Company: Design from AC00B	Sheet: 1/1
	Date: 2019-05-11	Drawn By: W9JSW