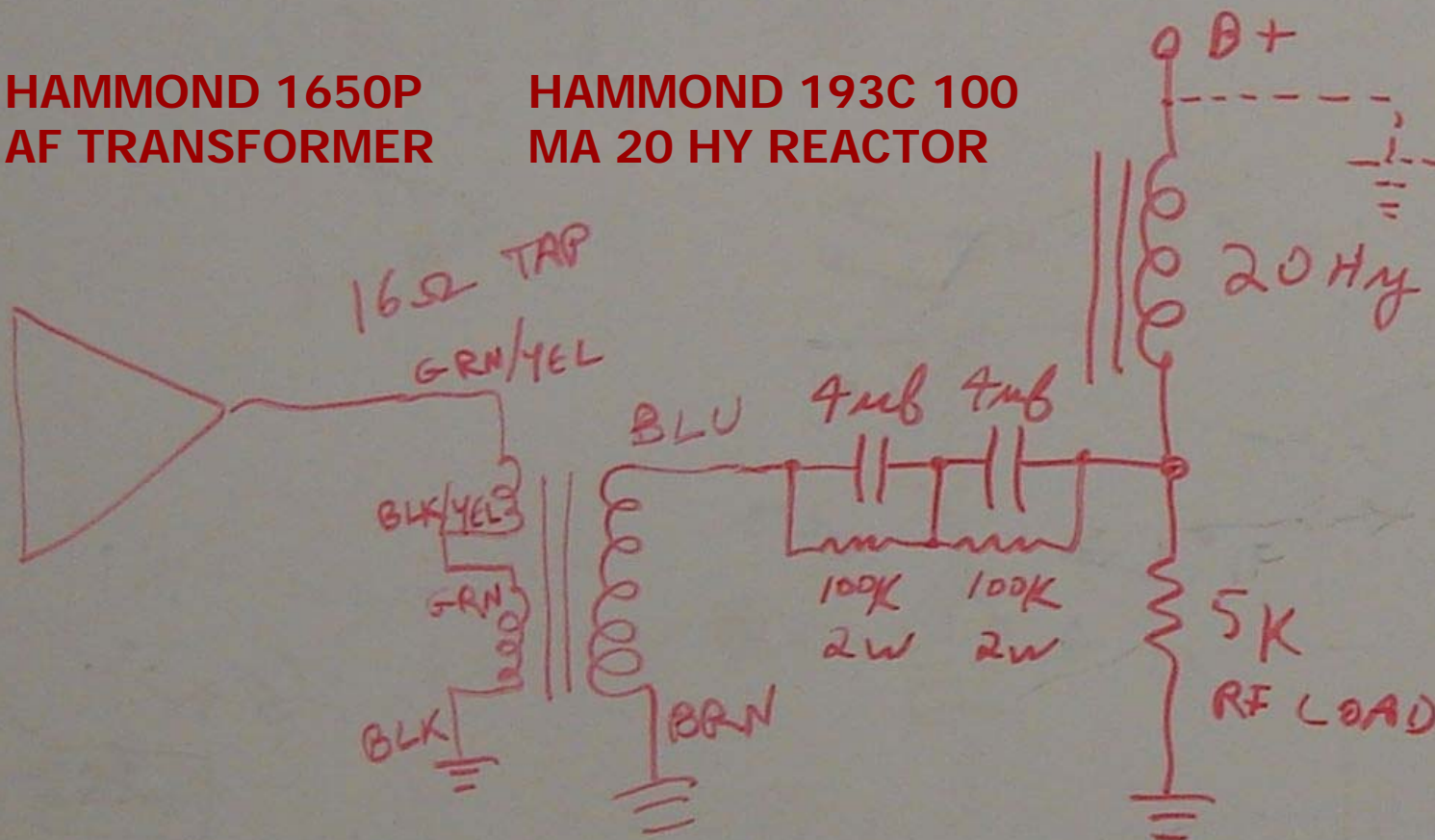


W1VTP EICO 720 PROJECT

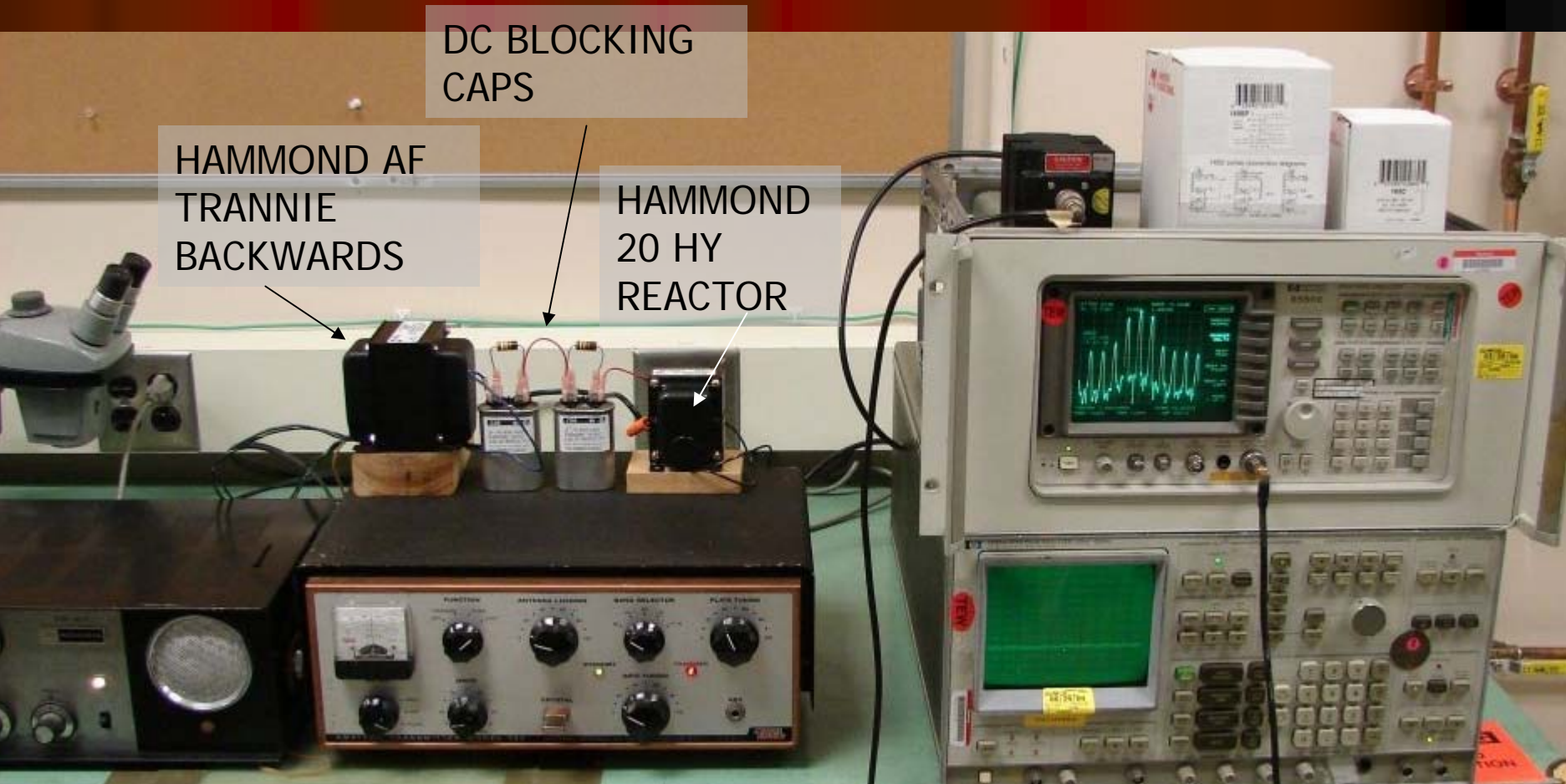
EICO 720 HEISING HOOKUP

HAMMOND 1650P
AF TRANSFORMER

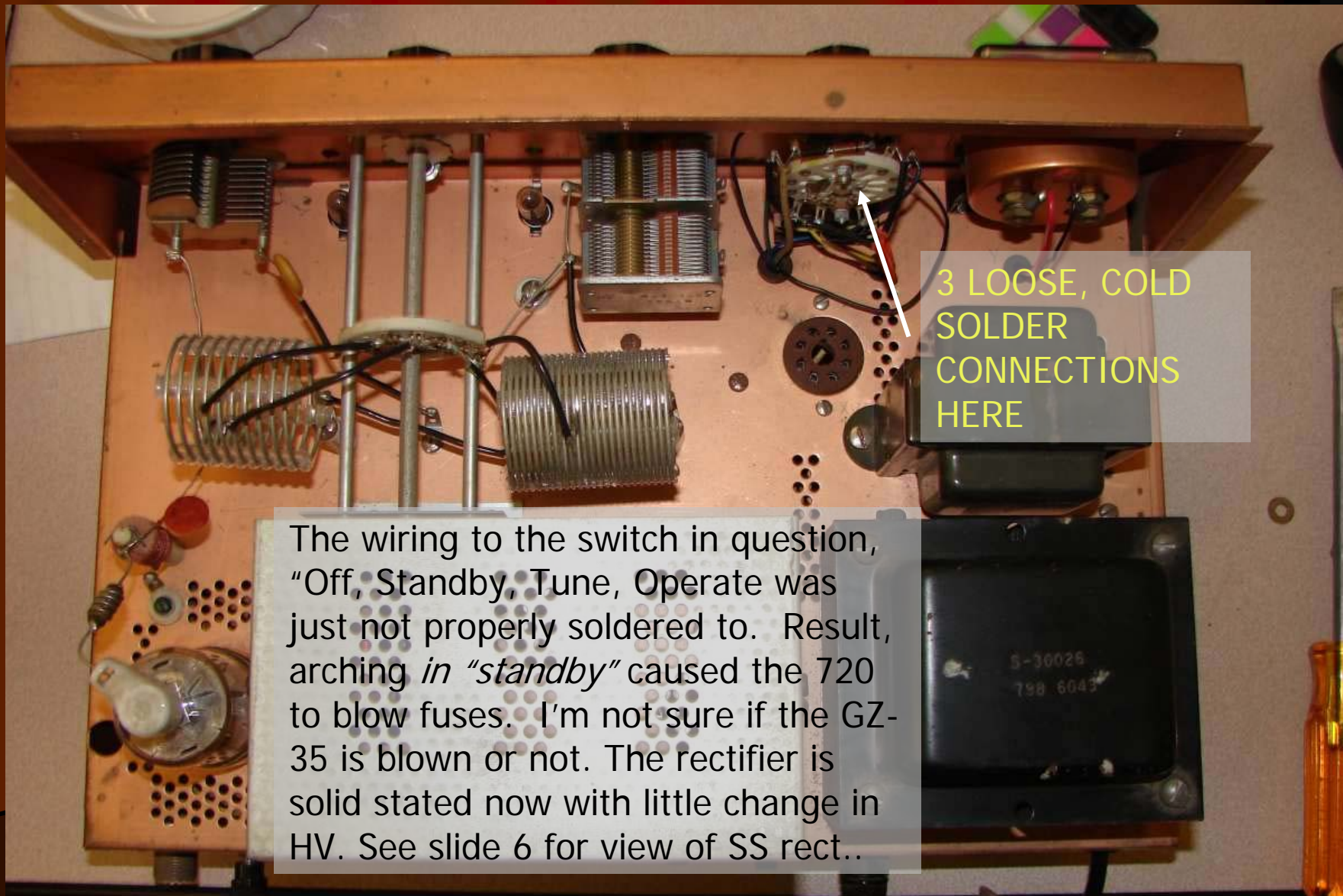
HAMMOND 193C 100
MA 20 HY REACTOR



EICO 720 ON BENCH



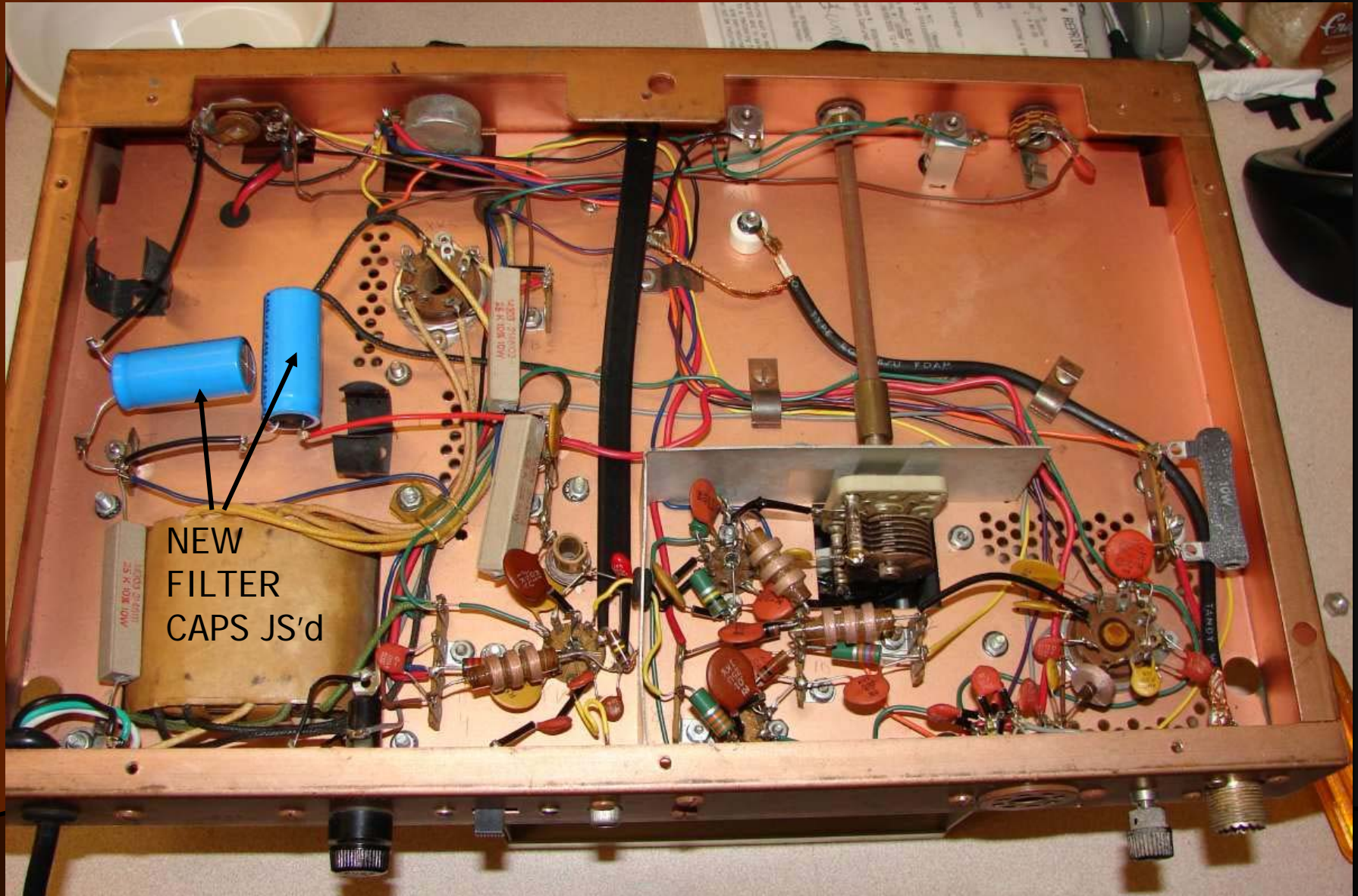
EICO 720 TOP



3 LOOSE, COLD
SOLDER
CONNECTIONS
HERE

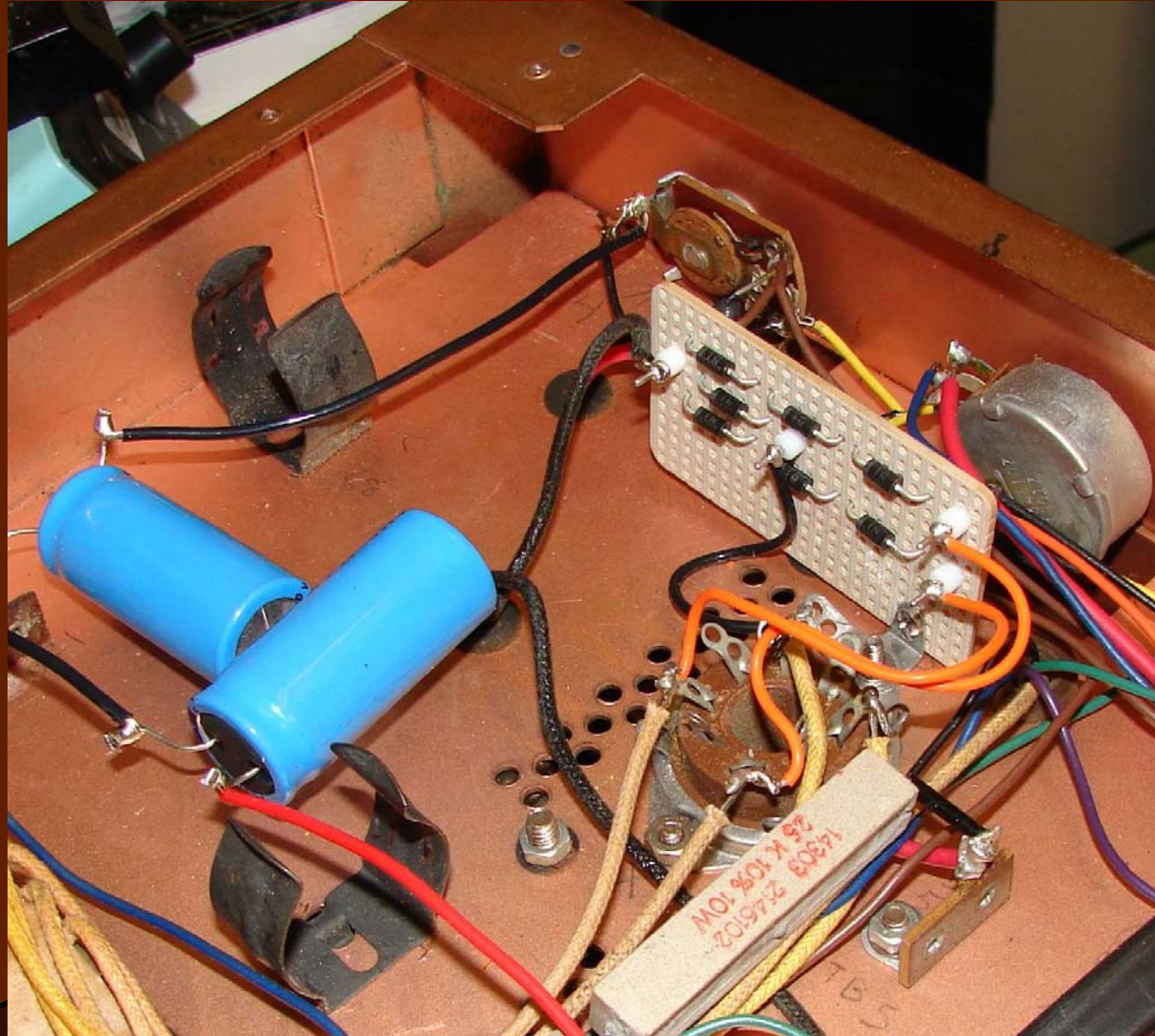
The wiring to the switch in question, "Off, Standby, Tune, Operate" was just not properly soldered to. Result, arcing *in "standby"* caused the 720 to blow fuses. I'm not sure if the GZ-35 is blown or not. The rectifier is solid stated now with little change in HV. See slide 6 for view of SS rect..

EICO 720 BOTTOM



NEW
FILTER
CAPS JS'd

SS Rectifier Installed



TASKS

- Restore To Operation (Done)
- Install Solid State Rectifier (Done)
- Install Solid State Tx / Rx Switching (TBD)
- Possible modulation sources:
 - TEST WITH NEW CORTINA 3070 80 WATT SS AMPLIFIER (BRIDGED CONNECTION – TBD)
 - Bogen M-60 (original amp)
 - Use Thordarson T11M71 40 watt modulation transformer. Still use Hammond reactor.
- Ready For On Air Tests (TBD)